

*IEA – ECBCS, Annex45  
2<sup>nd</sup> Expert Meeting*

# **Model of the Lighting System Control**

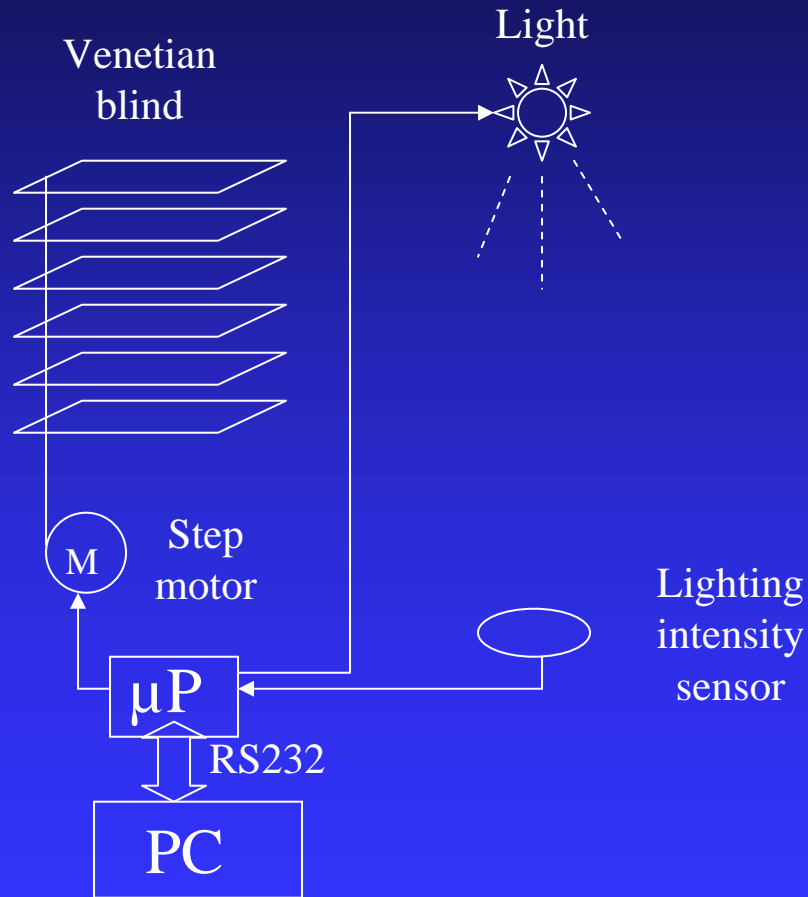
*Zbigniew Mantorski Ph.D.*  
e-mail: [zbigniew.mantorski@polsl.pl](mailto:zbigniew.mantorski@polsl.pl)

*Berlin, 2005*

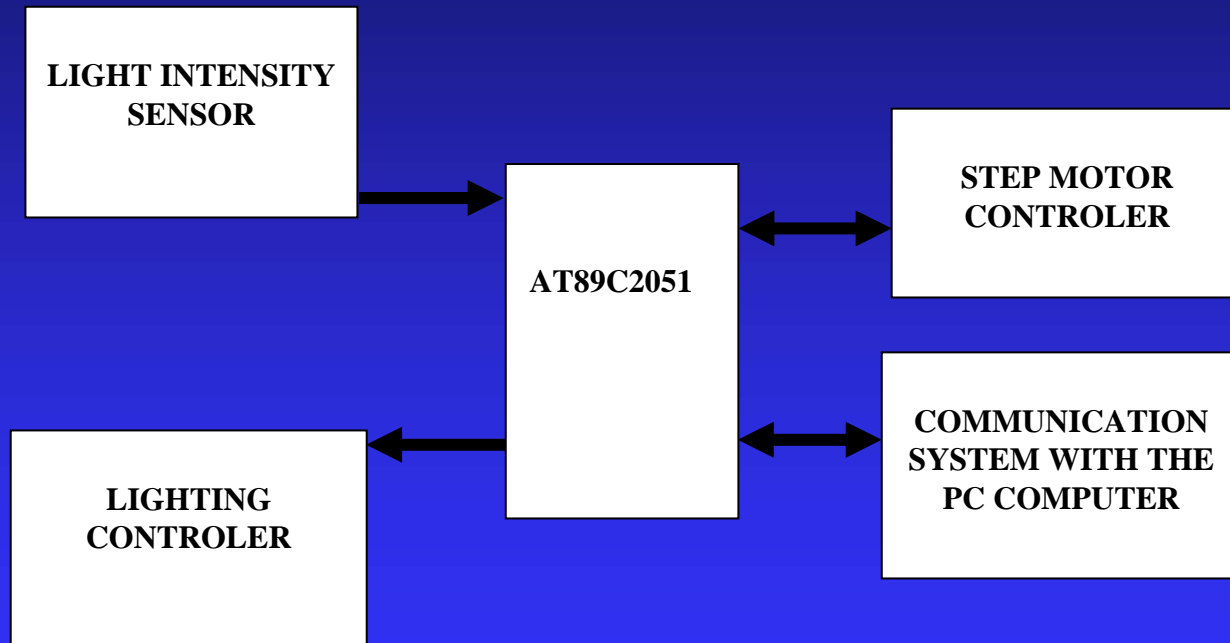
Building the model of the lighting system control was a part of the Lukasz Bzdega diploma work (B.Sc.).

The aim of the work was to build a very simple control system, as cheap as possible, acceptable by the owners of private houses or flats.

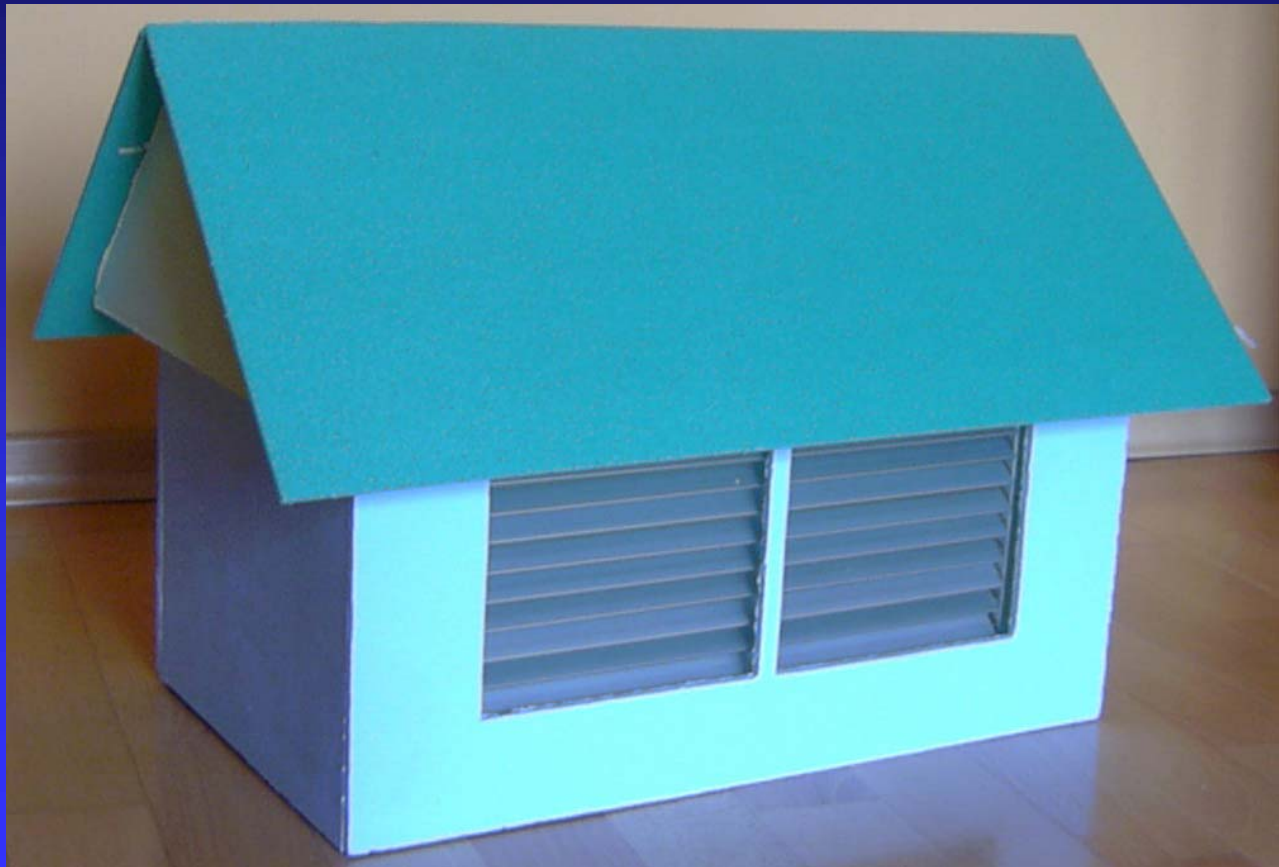
# Control system model



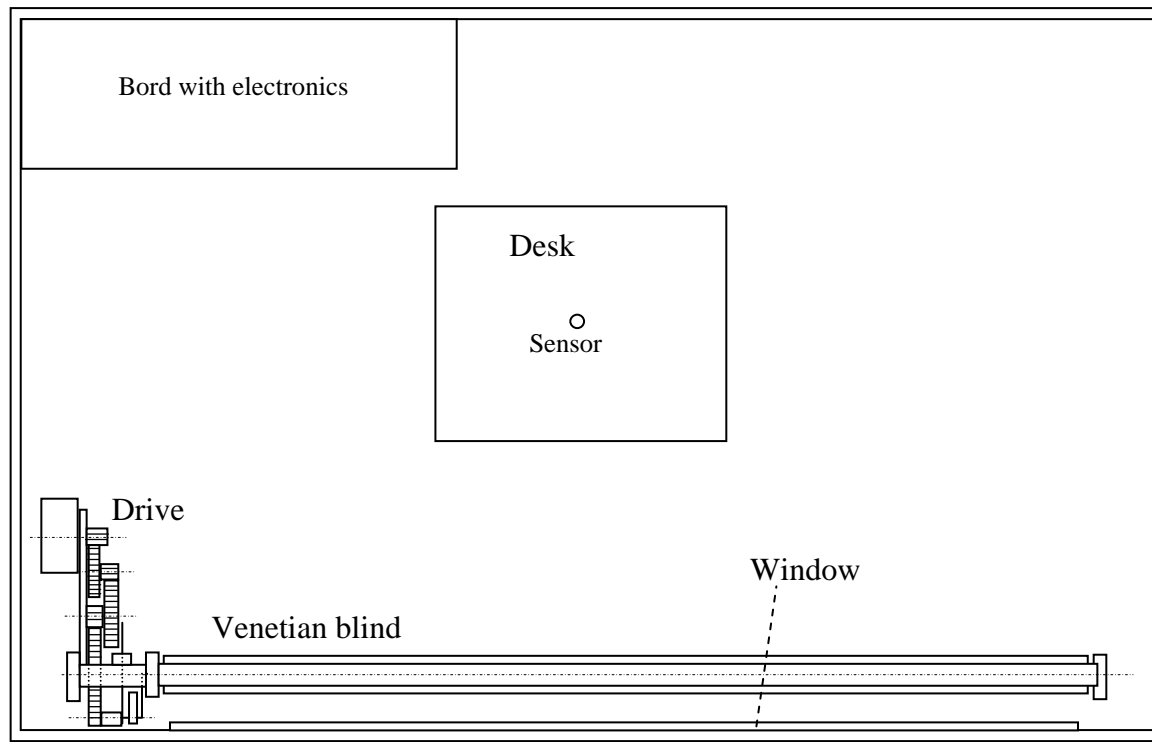
# Block diagram of the control system



# Complete model



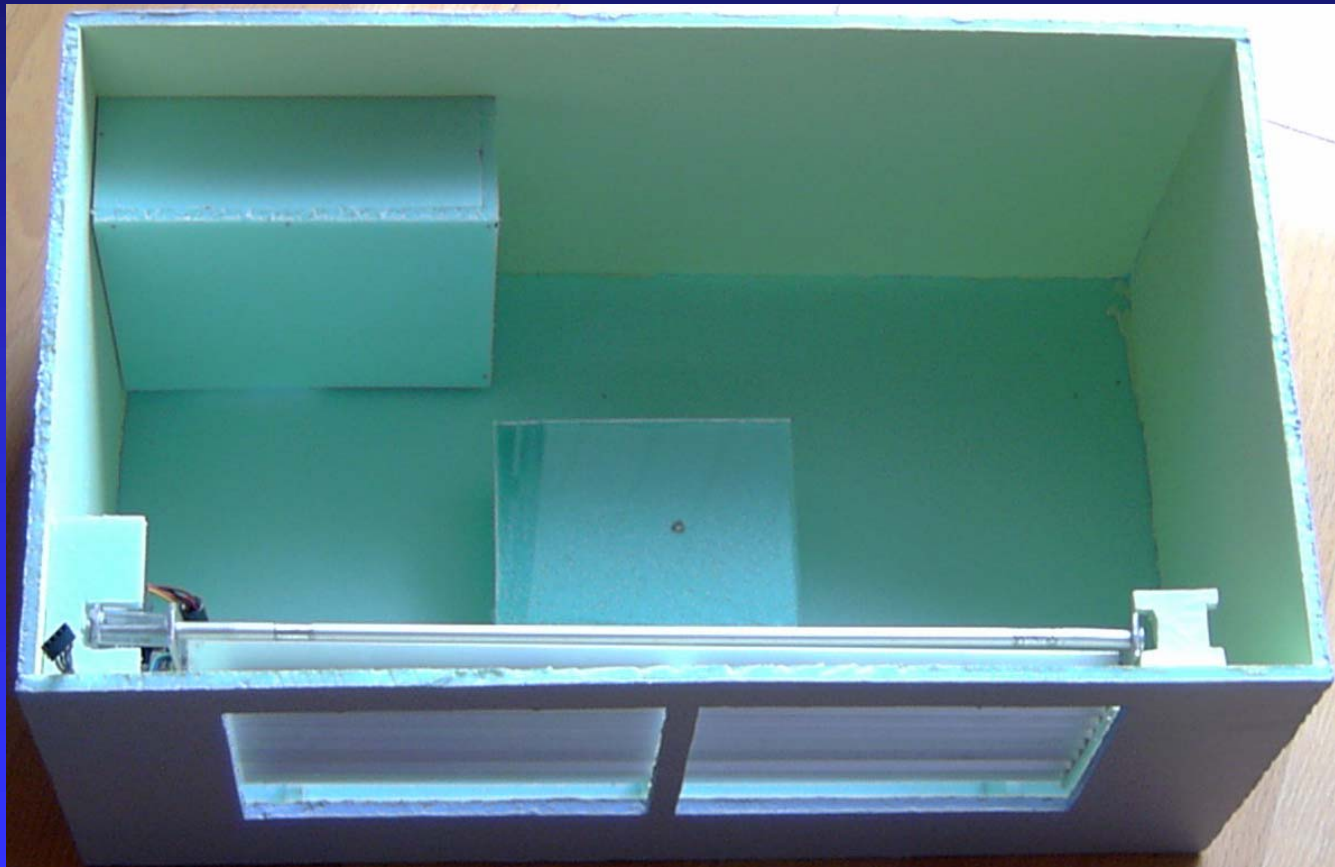
# Model inside



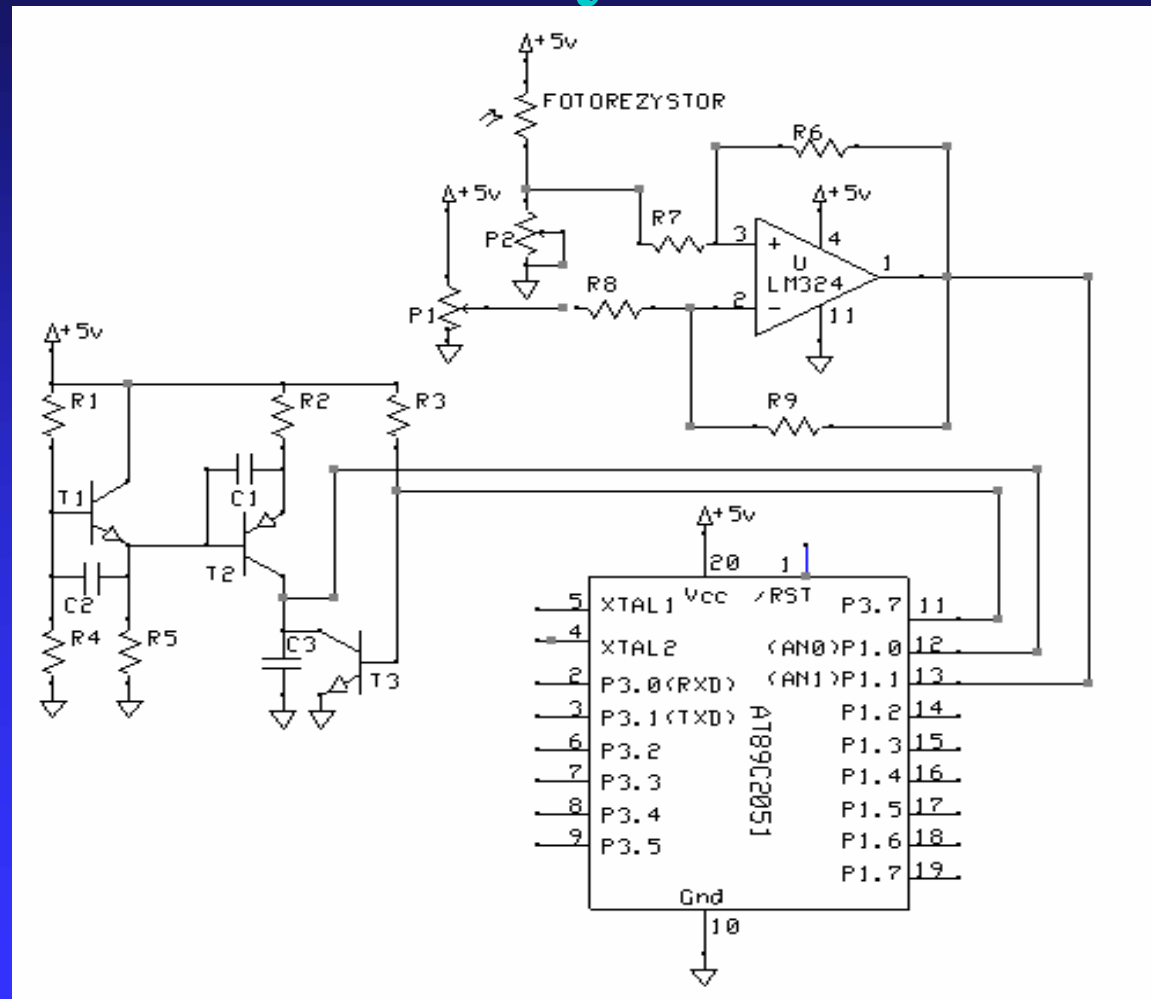
# Venetian blind



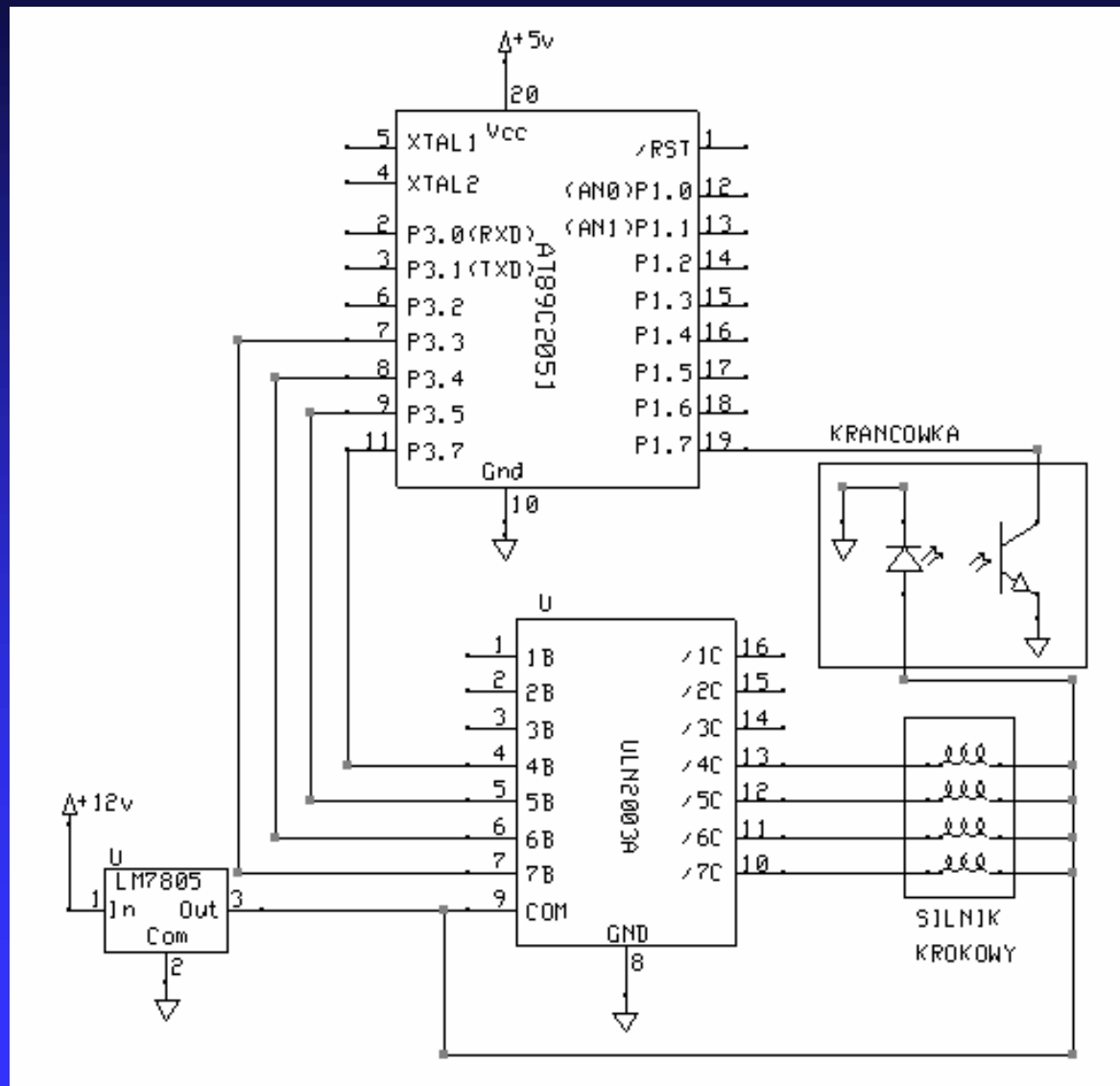
# Model from above



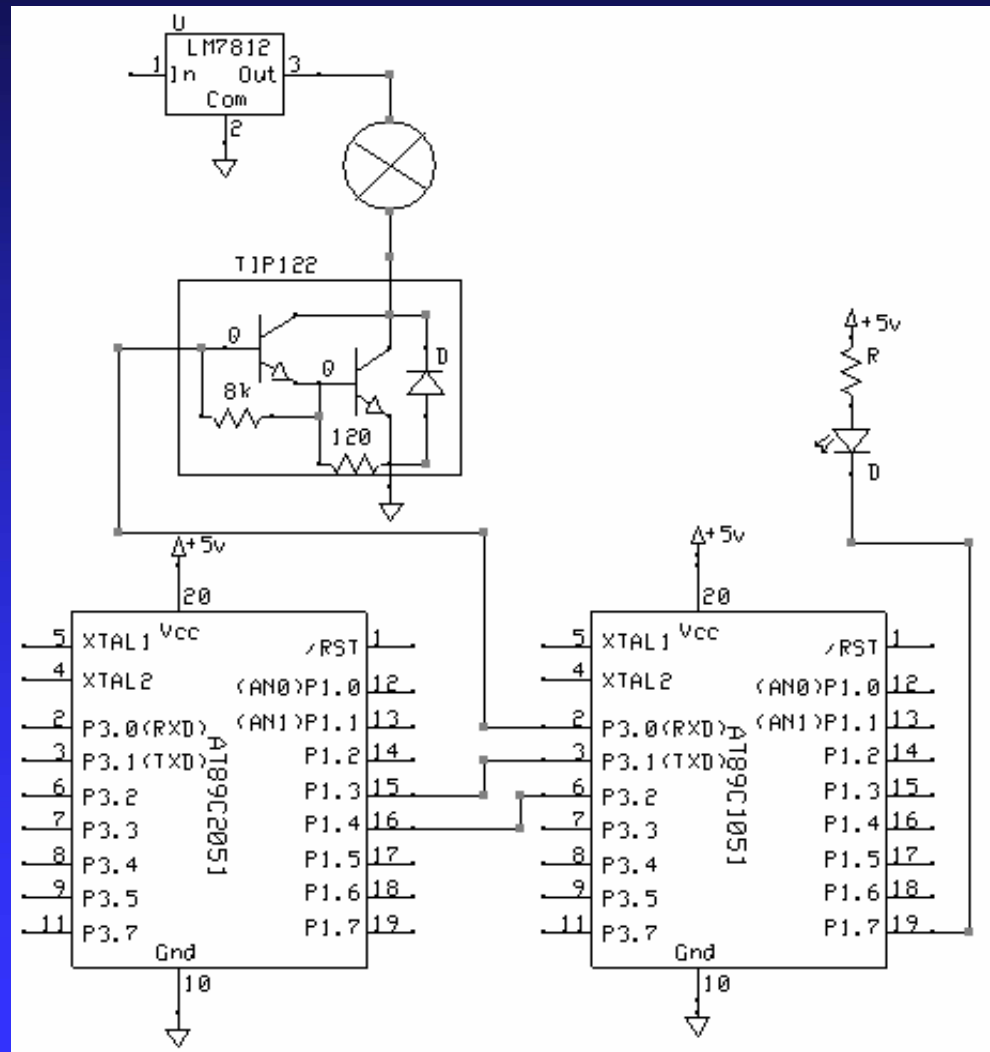
# Lighting intensity measurement system



# Step motor control system



# Lighting control system



# Communication system with the PC computer

